

Frames and Drawers

Easy to assemble, the only tool required is a rubber mallet.

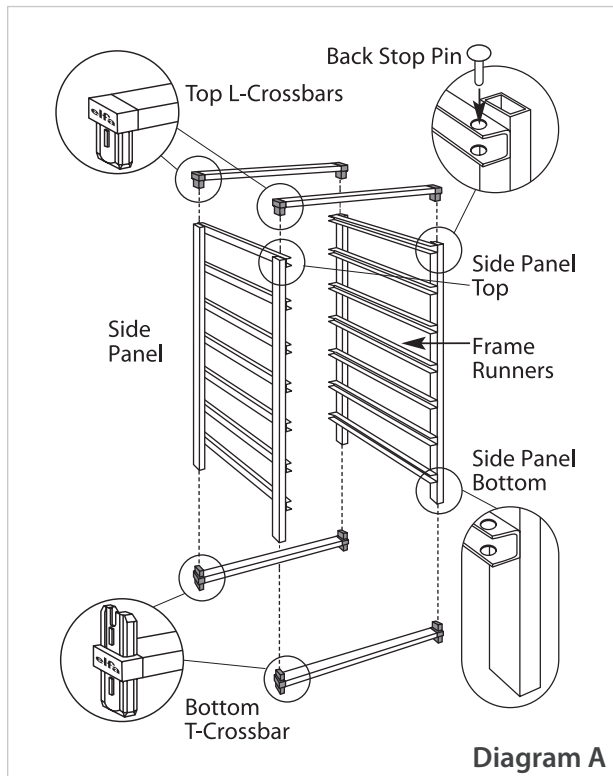


Diagram A

Assembling neata frames and drawers (Diagram A)

Step 1

Using a rubber mallet, tap the bottom of each side panel into the bottom T-crossbar.

Step 2

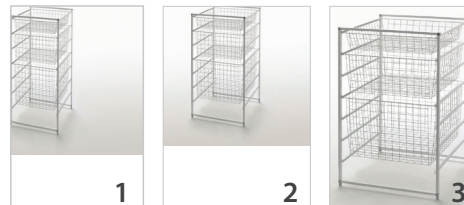
If using back stop pins, place them in the top runners before inserting the top L-crossbars.

Step 3

If using a frame top, place adhesive strips (included in the packaging) on the top L-crossbars. Align the frame top with the crossbars and press firmly.

Step 4

Insert remaining backstop pins and slide in drawers. If you have other frame and drawer accessories, install them now.



1. **Narrow Frame (350mm wide)**
Provides efficient drawer storage in a tight space.
2. **Medium Frame (450mm wide)**
Ideal for wardrobes, offices and laundries.
3. **Wide Frame (550mm wide)**
For bulky, lighter items such as doonas and pillows.

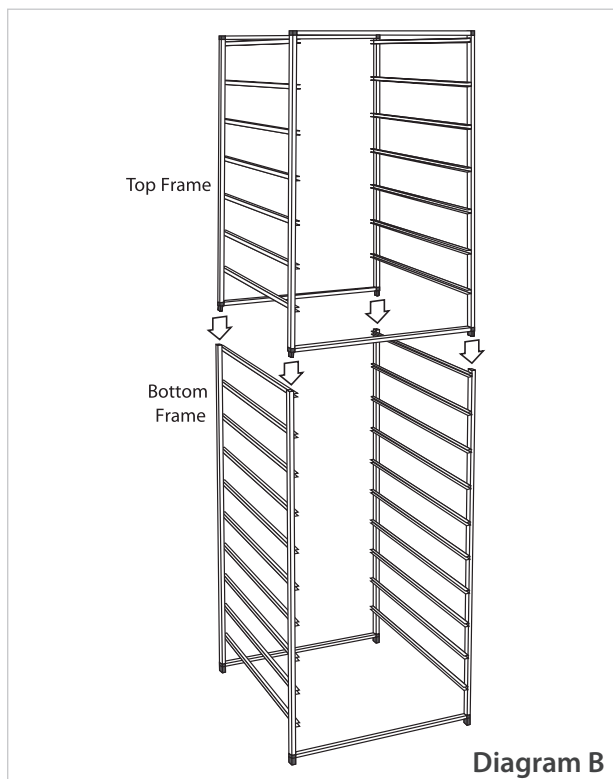


Diagram B

Combining neata frames (Diagram B)

Step 1

Assemble top frame. See steps 1-2 above.

Step 2

Assemble bottom frame, omitting the top L-crossbars. If using back stop pins, put one in the top runners of the bottom frame.

Step 3

Lower the top frame onto the bottom frame. Secure by tapping each corner of the top frame until the bottom T-crossbars are completely slotted into the bottom frame.

Step 4

Insert remaining backstop pins and slide in drawers. If you have other frame and drawer accessories, install them now.

TIP

- If you do not have a rubber mallet, you can use a hammer with a wood block to protect the frame.
- Do not assemble on modern floors to avoid damage to the floor.